

thermalec electric storage hot water. It's all about value.

- 7 year warranty + 3 year post warranty limited offer²
- Heavy duty glass lined cylinder
- Tested and proven long life
- Easy installation (indoors or outdoors)
- Pressure and temperature relief valve supplied with the system
- Dual handed fittings for easy breakdown replacement installations
- Mains pressure so there's plenty for the whole family
- Suitable for "off-peak" tariff connection
- Designed in Australia for Australian conditions
- Suitable for residential or commercial

Thermalec is a member of the Thermasol family of high quality economical hot water systems.

Be it solar, heat pump, electric storage or gas instantaneous, we've got the product for you.

Visit www.thermasol.com.au for more information.



 **thermalec**
the economical alternative

PO Box 881 Archerfield Qld 4108

T: 07 3726 2003 | F: 07 3726 2099

E: info@thermasol.com.au | www.thermasol.com.au

SPECIFICATIONS

Model No.		IM0501T36	IM0801T18	IM1251T18	IM1601T24	IM2501T36	IM3151T36	IM4001T36
Product order code		HWE013	HWE021	HWE031	HWE042	HWE053	HWE063	HWE073
Hot water delivery	Litres	50	80	125	160	250	315	400
Capacity	Litres	56	95	142	200	270	340	450
Recommended Expansion Control Valve (ECV)	kPa	850	850	850	850	850	850	700
Maximum supply pressure with ECV	kPa	680	680	680	680	680	680	680
Maximum supply pressure without ECV	kPa	800	800	800	800	800	800	800
Pressure & Temperature relief valve (supplied)	kPa	1000	1000	1000	1000	1000	1000	850
Maximum users ¹ (continuous tariff)	Persons	1-2	2	3	4	5	6	9
Element rating (different sizes available)	kW	3.6	1.8	1.8	2.4	3.6	3.6	3.6
Thermostat setting (maximum)	°C	75	75	75	75	75	75	75
Weight (empty)	Kg	27	37	50	67	84	102	150
Measurements:								
A - Height	mm	653	1033	1482	1484	1388	1690	1709
B - Diameter	mm	470	470	470	540	648	648	730
C - Inlet height from base	mm	82	82	82	82	82	82	82
D - Outlet height from base	mm	480	812	1303	1300	1175	1478	1482
E - Cable entry from base	mm	90	90	90	100	140	140	140
F - Relieve valve angle	Deg.	23°	23°	23°	23°	32°	32°	32°
Limited Warranty ² (cylinder)	Years	7+3	7+3	7+3	7+3	7+3	7+3	7+3
Warranty (other parts and labour)	Years	1	1	1	1	1	1	1
Dual handed fittings		yes	yes	yes	yes	yes	yes	yes
PTR valve fitting	Inch	½	½	½	½	½	½	½
	mm	15	15	15	15	15	15	15
Inlet & outlet fittings	Inch	¾	¾	¾	¾	¾	¾	¾
	mm	20	20	20	20	20	20	20

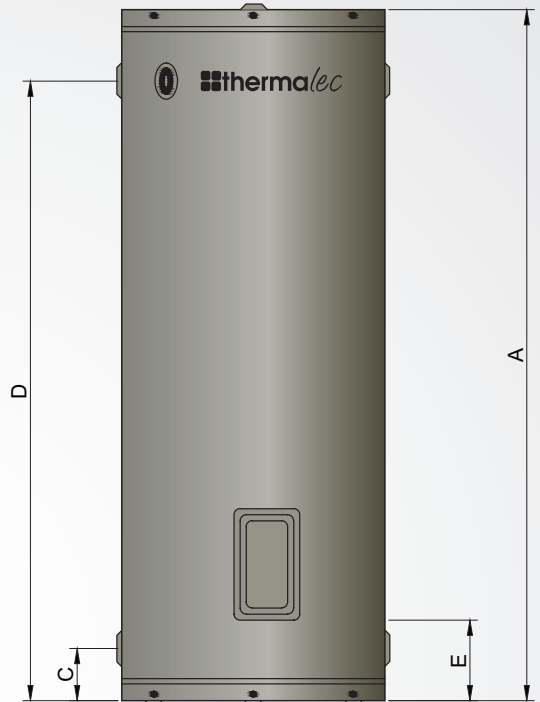
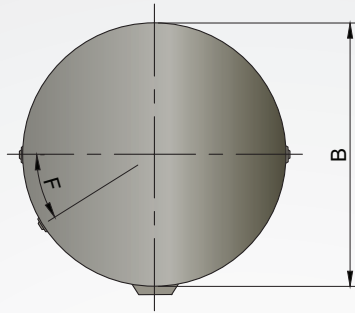
¹"Maximum users" is indicative only and based on electrical connection to continuous tariff. Note that water usage can change from person to person and household to household. Appliances such as dishwashers etc. should be counted as one extra person.

²Limited Warranty - The storage cylinder is warranted for an initial period of 7 years plus 3 years post warranty limited offer at 50% of the recommended retail price applicable at the time of claim. All other parts and labour are warranted for 1 year. The 3 years post warranty limited offer is subject to conditions which are fully set out at www.thermasol.com.au or available from Thermasol at the address shown below.



WaterMark

Licence WMKA 22158



thermalec
the economical alternative

PO Box 881 Archerfield Qld 4108

T: 07 3726 2003 | F: 07 3726 2099

E: info@thermasol.com.au | www.thermasol.com.au