

RHEEM SOLAR HOT WATER



SOLAR

5 & 6
YEAR
WARRANTY^{1,2}

2-7
PERSONS

160-410
LITRE
CAPACITY

UP TO
70%
ENERGY
SAVING³



SOLAR THAT SAVES

COMES ON STEADY, HOT AND STRONG

INSTALL A



RHEEM SOLAR HOT WATER PRODUCT DATA

RHEEM PREMIER® HILINE SOLAR HOT WATER HEATER

GAS BOOSTED				ELECTRIC BOOSTED	
MODEL		52H180K/1S-G	52H300K/2S-G	52H180K/1S	52H300K/2S
Storage Capacity	L	180	300	180	300
Solar Collectors	S200	1	2	1	2
Booster Type		Gas - Remote	Gas - Remote	Electric	Electric
Boost Capacity	L	27L/min	27L/min	90	150
People Per Household		1-3	2-5	1-2	2-5
Dimensions & Specifications					
Height (A)	mm	2490	2490	2490	2490
Width (B)	mm	1495	2198	1495	2198
Depth (C)	mm	561	561	561	561
Weight Empty - Tank	kg	48	68	48	68
Weight Full - Tank	kg	237	386	237	386
Weight Empty - Solar Collectors	kg	48	96	48	96
Weight Full - Solar Collectors	kg	52	104	52	104

RHEEM HILINE® SOLAR HOT WATER HEATER

GAS BOOSTED				ELECTRIC BOOSTED	
MODEL		52S160/1NPT-G	52S300/2NPT-G	52S160/1NPT	52S300/2NPT
Storage Capacity	L	160	300	160	300
Solar Collectors	NPT200	1	2	1	2
Booster Type		Gas - Remote	Gas - Remote	Electric	Electric
Boost Capacity	L	24L/min	24L/min	80	160
People Per Household		1-3	2-5	1-2	2-5
Dimensions & Specifications					
Height (A)	mm	2490	2490	2490	2490
Width (B)	mm	1070	1865	1070	1865
Depth (C)	mm	540	540	540	540
Weight Empty - Tank	kg	70	100	70	100
Weight Full - Tank	kg	230	400	230	400
Weight Empty - Solar Collectors	kg	36	72	36	72
Weight Full - Solar Collectors	kg	38	75	38	75

RHEEM PREMIER® LOLINE SOLAR HOT WATER HEATER

GAS BOOSTED						ELECTRIC BOOSTED	
MODEL		596270/1S	596270/2S	590270/1S-G	590270/2S-G	591270/2S	591270/3S
MODEL		596270/1T	596270/2T	590270/1T-G	590270/2T-G	591270/2T	591270/3T
Storage Capacity	L	270	270	270	270	270	270
Solar Collectors		1	2	1	2	2	3
Booster Type		Gas - Integrated	Gas - Integrated	Gas - Remote	Gas - Remote	Electric	Electric
Boost Capacity	L	27L/min	27L/min	27L/min	27L/min	125	125
People Per Household		2-5	2-5	2-5	2-5	1-3	2-4
Dimensions & Specifications							
Height (A)	mm	1775	1775	1775	1775	1775	1775
Width (B)	mm	648	648	648	648	648	648
Depth (C)	mm	890	890	682	682	682	682
Cold In (D)	mm	377	377	377	377	377	377
Hot Out (E)	mm	1078	1078	1078	1078	1078	1078
Weight Empty - Tank	kg	141	141	145	145	146	146
Weight Full - Tank	kg	411	411	415	415	416	416
Weight Empty - Solar Collectors	kg	48	96	48	96	96	144
Weight Full - Solar Collectors	kg	52	104	52	104	104	156

RHEEM LOLINE SOLAR HOT WATER HEATER

GAS BOOSTED					ELECTRIC BOOSTED			
MODEL		511220/2HBT-G	511270/2NPT-G	511340/2NPT-G	511430/3NPT-G	511270/2NPT	511340/2NPT	511430/3NPT
MODEL		511270/2HBT-G	511270/2HBT-G	511340/2HBT-G	511430/3HBT-G	511270/2HBT	511340/2HBT	511430/3HBT
Storage Capacity	L	220	270	325	410	270	325	410
Solar Collectors		2	2	2	3	2	2	3
Booster Type		Gas - Integrated	Gas - Remote	Gas - Remote	Gas - Remote	Electric	Electric	Electric
Boost Capacity	L	20	24L/min	24L/min	24L/min	160	200	285
People Per Household		2-5	2-5	2-6	3-7	1-3	2-4	3-6
Dimensions & Specifications								
Height (A)	mm	1565	1395	1640	1840	1395	1640	1840
Width (B)	mm	592	640	640	690	640	640	690
Depth (C)	mm	670	680	680	730	680	680	730
Cold In (D)	mm	102	73	73	81	73	73	81
Hot Out (E)	mm	1113	1117	1357	1519	1117	1357	1519
Weight Empty - Tank	kg	94	71	87	111	71	87	111
Weight Full - Tank	kg	314	341	412	521	341	412	521
Weight Empty - Solar Collectors	kg	72	72	72	108	72	72	108
Weight Full - Solar Collectors	kg	76	75	75	113	75	75	113

HBT Collectors are only available for installation in zones 3 & 4.

WHY RHEEM SOLAR?

Energy efficient

Uses up to 70% less energy than an electric water heater, saving you money.³

Reduces carbon emissions

Solar systems save up to 3.3 tonnes of greenhouse gas emissions every year.⁴

Minimise reliance on fossil fuels and protect yourself against future energy cost increases

Take advantage of Australia's abundant supply of sunlight, and reduce your reliance on expensive, non-renewable gas and electricity.⁵

Complete range

The Rheem solar range includes both split, ground mounted systems and complete roof mounted models in a variety of capacities from 160 - 410 Litres.

All weather protection

Rheem Premier® Loline series feature unique, drain-back heat exchange technology, that prevents the solar system from freezing, or overheating during weather extremes.

Booster options

Rheem solar systems are available with electric or gas boosting, providing hot water during cloudy weather, or at night.

Eligible for rebates & incentives

STCs and both Federal & State Government rebates are available for installing solar water heating.⁶

5 year and 6 year warranty^{1,2}



Solar systems save up to 3.3 tonnes of greenhouse gas emissions every year⁴



Model shown 52H300K2S

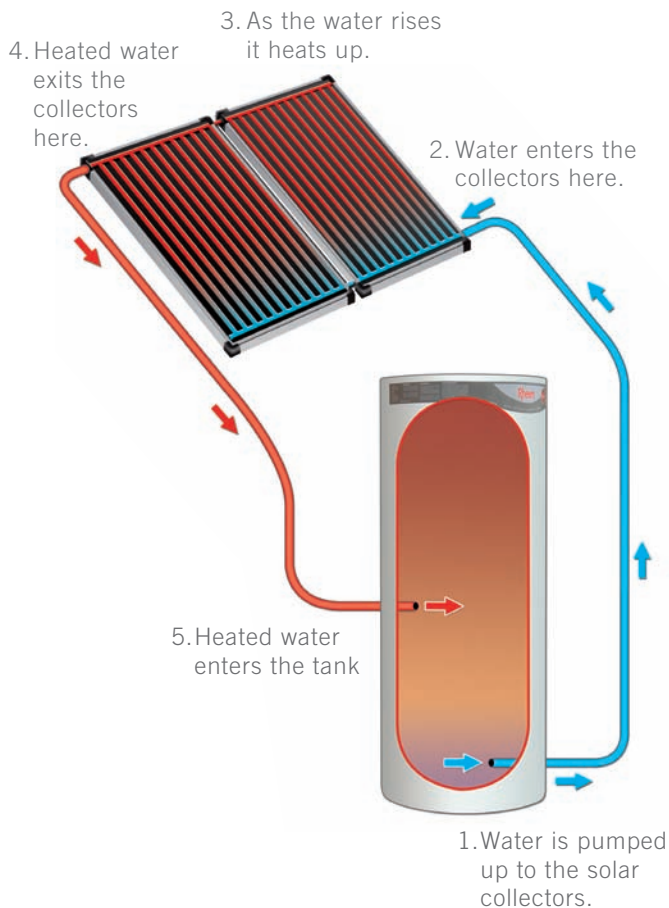
RHEEM SOLAR HOT WATER

DIRECT SOLAR

Loline and Hiline® solar water heaters are both direct systems and are suitable for warmer climates and areas with good water quality.

HOW DIRECT SOLAR WORKS

Solar water heaters work by absorbing energy from the sun's rays in roof mounted solar collectors. This energy is transferred to heat water stored in the storage tank. Ground mounted systems rely on inbuilt pumps to push the water through the system, whereas roof mounted systems rely on a natural 'thermosiphon' effect. Typically water passes through channels in the solar collector where the water is heated. As the water moves out of the collector and into the tank, the tank gradually gets hotter until the water reaches its maximum stored temperature.



Hiline® roof mounted systems



- Space saving design, complete roof mounted installation featuring a proven, glass enamel lined tank.
- Low maintenance, no pump required.
- Electric and Gas boosted models available.

Loline split mounted systems



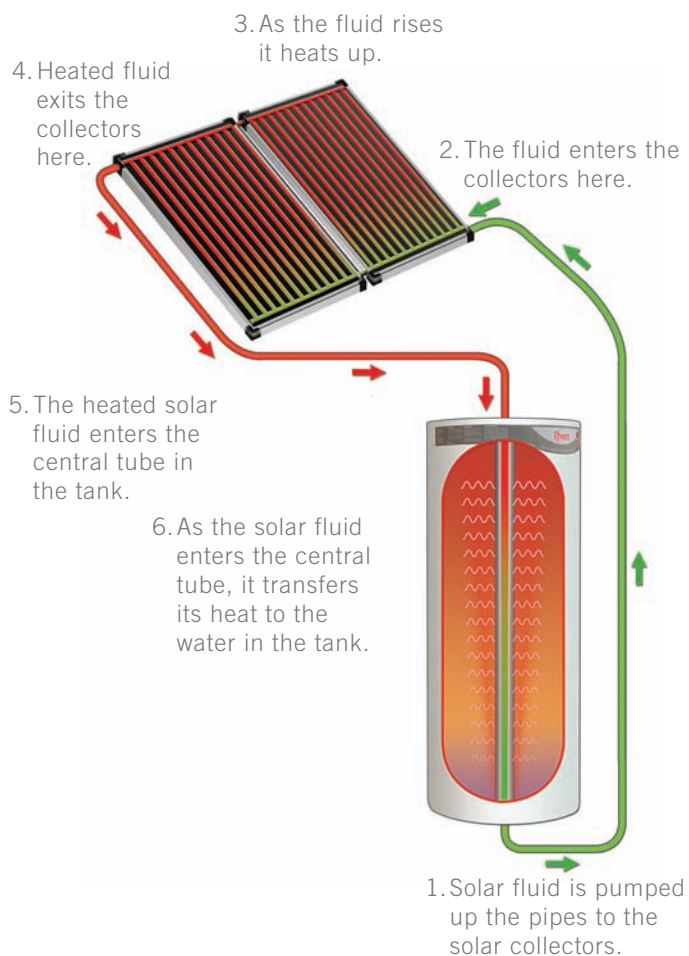
- Split design reduces the structural load on your roof.
- Multi-rise collectors efficiently absorb energy from the sun.
- Electric and Gas boosted models available.

INDIRECT SOLAR

The Premier® Loline and Premier® Hiline solar water heaters are both indirect solar water heaters specifically designed for cooler climates and areas with poor water quality.

HOW INDIRECT SOLAR WORKS

Indirect models are designed for frost prone areas and work in much the same way as direct models but rather than heating water 'directly' in the solar collectors, heat exchange fluid with anti-freeze properties is heated. This in turn 'indirectly' heats the water. Indirect heating prevents water freezing and damage to collectors.



Premier® Hiline roof mounted systems



- Complete frost protection.
- Space saving design, a complete roof mounted installation featuring a durable, light weight stainless steel tank.
- Uses the sun energy to transfer the heat exchange fluid from the collector to the storage tank (thermosiphon technology).
- Electric and Gas boosted models available.

Premier® Loline split mounted systems



- Complete frost protection.
- Split design reduces the structural load on your roof.
- Top mounted solar connections on the tank are located safely out of reach of children.
- Features drain back technology to prevent freezing of collectors in cold conditions and overheating in hot climates.
- Electric and Gas boosted models available.

RHEEM SOLAR HOT WATER

RHEEM IS AUSTRALIA'S FAVOURITE NAME IN HOT WATER AND THE NAME AUSTRALIANS HAVE TRUSTED FOR GENERATIONS

YOU'LL BE RIGHT WITH RHEEM

No.1 with Australian families. Rheem is Australia's favourite hot water system... and it's been that way since 1939, when Rheem started making water heaters in Australia. Generations of Australian families have relied on Rheem for water that is steady, hot and strong!

RHEEM IS EVERYWHERE

There is an unequalled network of experienced Rheem service agents across the country. No matter where you are in Australia there is expert advice available to ensure that you get the Rheem solution that is right for you.

WE HAVE THE RIGHT RHEEM FOR YOU

Rheem has the most extensive range of hot water systems available in Australia. Solar, gas or electric storage. Continuous flow or heat pump. Energy efficient. Rheem has a range of capacities and sizes just right for every situation.

Solar, gas or electric.
Continuous flow, heat pump,
or storage. Rheem has
a range of hot water solutions
for every situation.

CHOOSE SOLAR AND SAVE

Solar water heaters absorb free energy from the sun, and use this energy to heat water. By primarily relying on renewable energy sources, solar water heaters feature much lower emissions than other forms of water heating that rely on burnt fossil fuels for energy. This makes solar water heaters a good thing for our environment, and very economical to run.

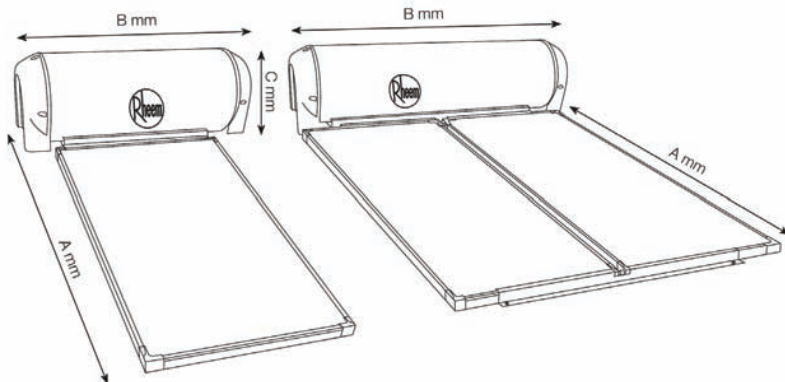
Solar water heaters come in both roof and ground mounted forms to suit various applications with a choice of either electric or gas back-up boosters for days when the sun doesn't shine. There are even models suited to particularly cold areas, which means every family can enjoy the benefits a solar water heater has to offer.

FEATURES

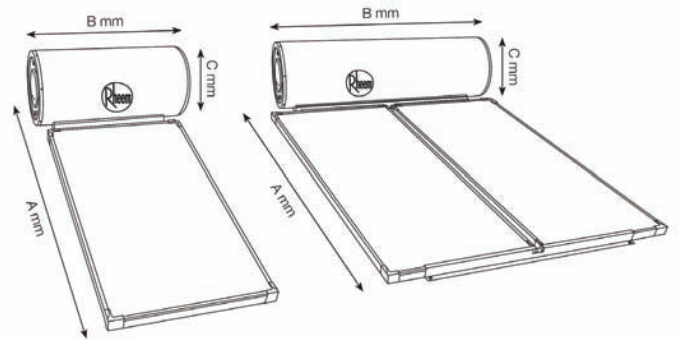
- Systems ranging in size from 160 - 410L
- Powered by sunlight, a limitless renewable energy source
- Roof and ground mounted models
- Choice of electric or gas boosting
- Reduces greenhouse gas emissions (GGEs)



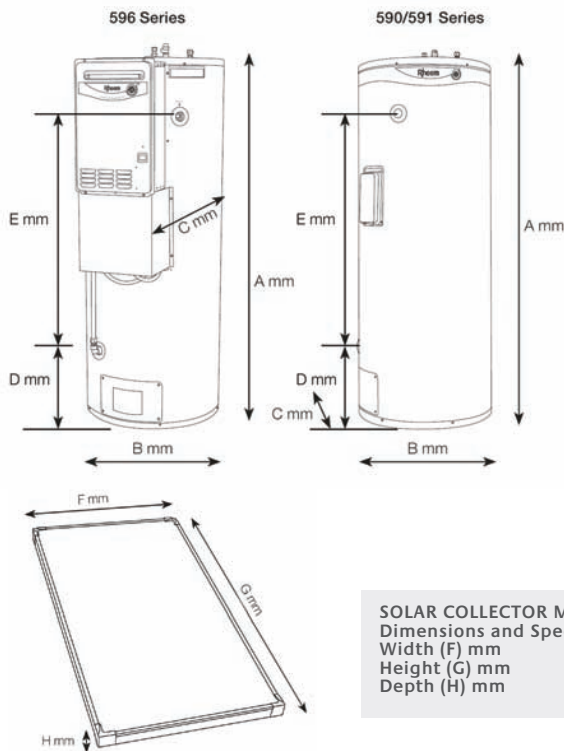
RHEEM PREMIER® HILINE SOLAR HOT WATER HEATER



RHEEM HILINE® SOLAR HOT WATER HEATER

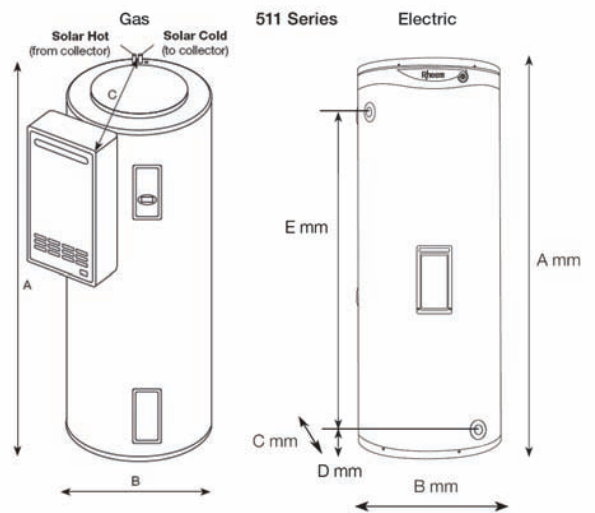


RHEEM PREMIER® LOLINE SOLAR HOT WATER HEATER



SOLAR COLLECTOR MODEL S200, T200, HBT 200 & NPT 200
 Dimensions and Specifications
 Width (F) mm 1023
 Height (G) mm 1941
 Depth (H) mm 80

RHEEM LOLINE SOLAR HOT WATER HEATER



Rheem Premier® Loline / Loline / Hiline®

- 5 year cylinder, heat exchanger and solar collectors, 3 year labour on cylinder and heat exchanger, 1 year parts including labour. Applies to domestic installations only. Amended warranty may apply where a government rebate has been received for the solar water heater Phone 131 031 for details. Conditions apply, see the Rheem warranty set out in the product's Owner's Guide or view it at www.rheem.com.au/warranty

Rheem Premier® Hiline

- 6 year cylinder, 5 year solar collectors, 1 year labour on cylinder, 1 year parts including labour. Applies to domestic installations only. Amended warranty may apply where a government rebate has been received for the solar water heater Phone 131 031 for details. Conditions apply, see the Rheem warranty set out in the product's Owner's Guide or view it at www.rheem.com.au/warranty

Terms and Conditions

- Energy reduction of up to 70% based on Australian Government Approved TRNSYS simulation modelling and apply when replacing an electric water heater with a Rheem solar water heater in zone 3.
- Greenhouse gas emission savings based upon installing a 511340/2NPT Solar Hot Water heater, when replacing an electric water heater.
- Any financial savings will vary depending upon type of Rheem Solar or Heat Pump system installed, orientation and inclination of the solar collectors, type of water heater being replaced, hot water consumption and fuel tariff. Maximum financial savings off your hot water bill are achievable when replacing an electric water heater on continuous tariff.
- Eligibility criteria apply.
- 591270 should be used with T200 solar collectors in Victoria and South Australia.
- Rheem Water Star® when connected to a typical 5 star 26L/minute CFWH, will when measured as a combined appliance, decrease the annual energy usage when tested as per AS4552 Energy Rating test.
- Energy and greenhouse gas emissions reduction of over 60% based on Australian Government Approved TRNSYS simulation modelling and apply when replacing an electric water heater with a Rheem Heat Pump water heater in zone 3.
- Based on delivery of water within 5°C of set temperature from Rheem Water Star compared to a 5 star 27L/minute Continuous Flow water heater, measured at the outlet after 4 metres of piping.



AS 3498
WNKA00153



Quality
ISO 9001



Australian
Standard
AS 2712 Lic 757
SAI Global

Did you know you can make both financial and environmental savings by upgrading your old water heater, with a newer, more energy efficient system?

Rheem has a web site www.rheemsolarsavers.com.au, to help you make sense of all things solar.

Rheem SolarSavers provides information on solar, heat pump and hi-efficiency gas water heaters and allows you to calculate the value of rebates you're entitled to, based on which new water heater you are looking to install.

So all the solar rebate information you'll ever need to know is at your fingertips.

From the largest manufacturer of renewable water heaters in Australia, you know you'll be right with a Rheem.

To find out more visit www.rheemsolarsavers.com.au

 **SOLARSAVERS**



INSTALL A



THE RIGHT RHEEM FOR YOU

Australia's widest range of different capacities, 5 Star energy options and energy types all share the Rheem promise of premium quality.



- Cuts energy use and greenhouse gas emissions by over 60%.⁹
- Works even without the sun.
- The simple solar solution.

RHEEM HEAT PUMP



- Fast recovery, to have you back in hot water fast.
- Mains pressure for multiple usage of showers or taps at the same time – ideal for large families.
- 5 Star energy efficient.

RHEEM STELLAR® 5 STAR GAS STORAGE



- Improves the energy efficiency of continuous flow.⁸
- Almost totally eliminates water wastage of the continuous flow.
- Hot water twice as fast.¹⁰

RHEEM WATER STAR®

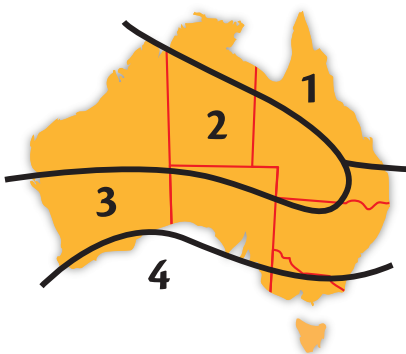


- Hot water that never runs out.
- 5 Star energy efficient.
- Remote Temperature Controllers for convenient temperature control.
- Compact and can be conveniently wall mounted.

RHEEM CONTINUOUS FLOW GAS



Small-scale Technology Certificates (STCs) are a financial incentive to encourage the installation of solar water heaters provided under a Federal Government operated scheme.



This map shows the climate Zones within Australia which will define the number of STCs allocated to an approved solar water heater.

Visit www.rheemsolarsavers.com.au to find out how many STCs apply to Rheem Solar water heaters by zone and to download the STC Assignment form.